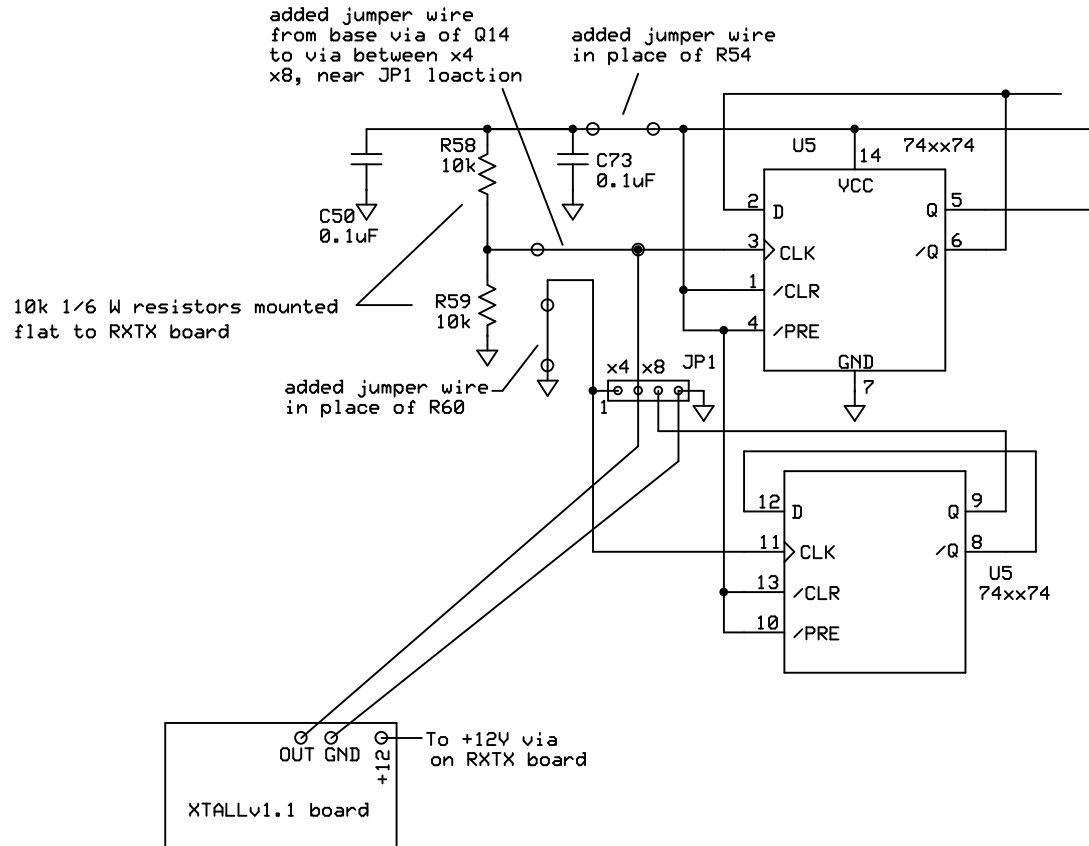


## RXTX board components



XTALLv1.1 board mounted 1/8 inch above RXTX board with OUT and GND holes of board in line up with JP2 of RXTX board

## SoftRock Projects

XTALLv1.1 interface to RXTX board